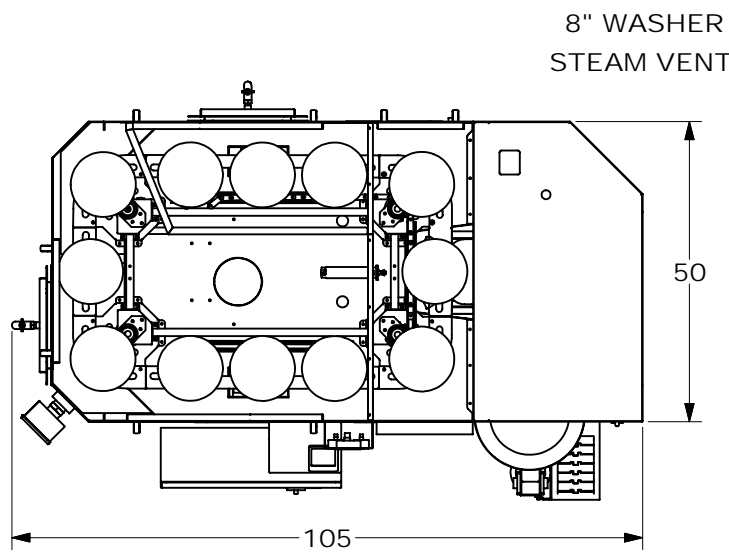


WEBBER AUTOMATION INC.
 1540 Commerce St. Ste. B
 Corona Ca, 92880
 951-278-0445
 www.webberautomation.com



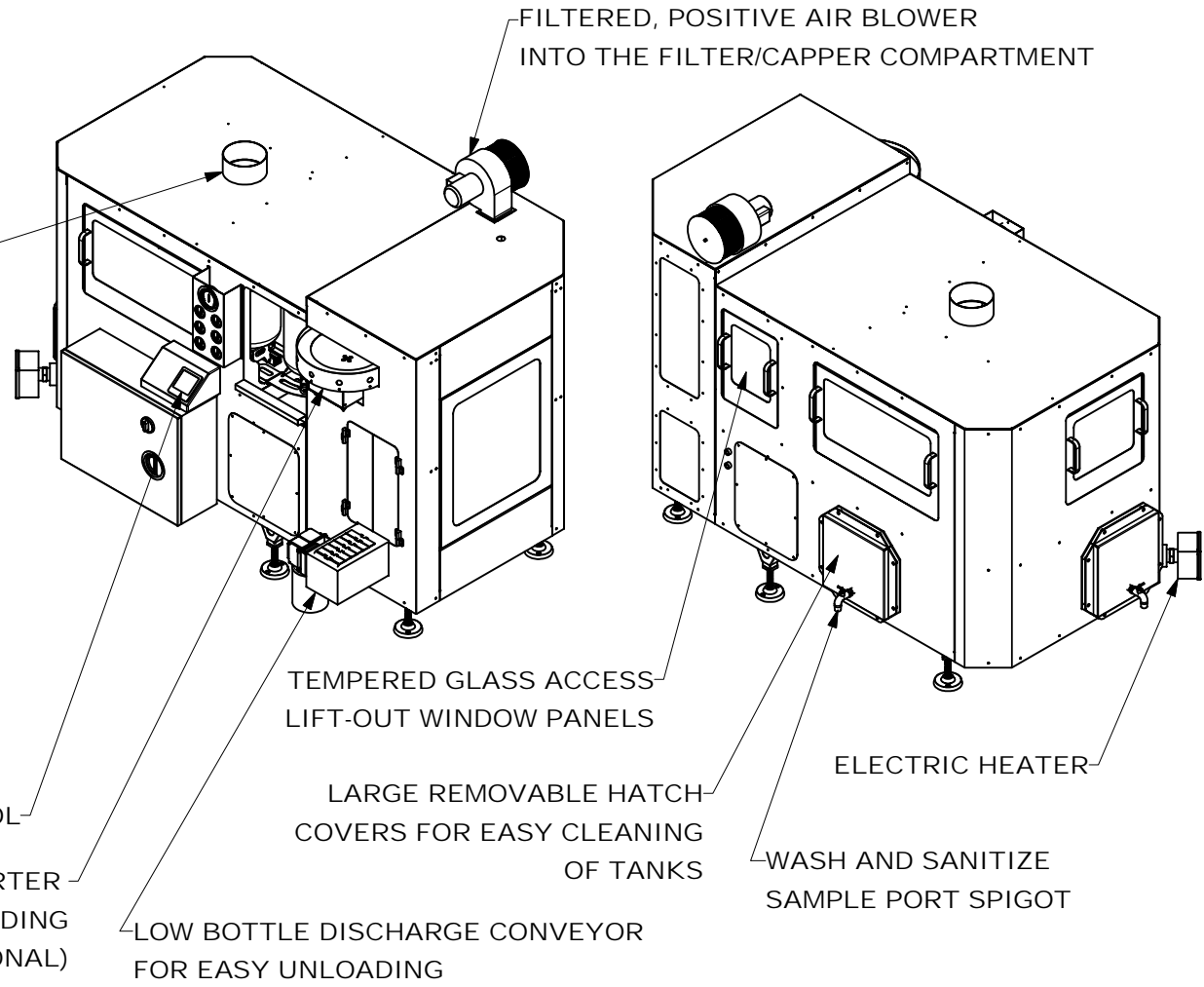
8" WASHER
 STEAM VENT

105

50

TOUCH SCREEN CONTROL

INTERGRATED CAP SORTER
 LOCATED FOR EASY LOADING
 (CAP HOPPER OPTIONAL)



FILTERED, POSITIVE AIR BLOWER
 INTO THE FILTER/CAPPER COMPARTMENT

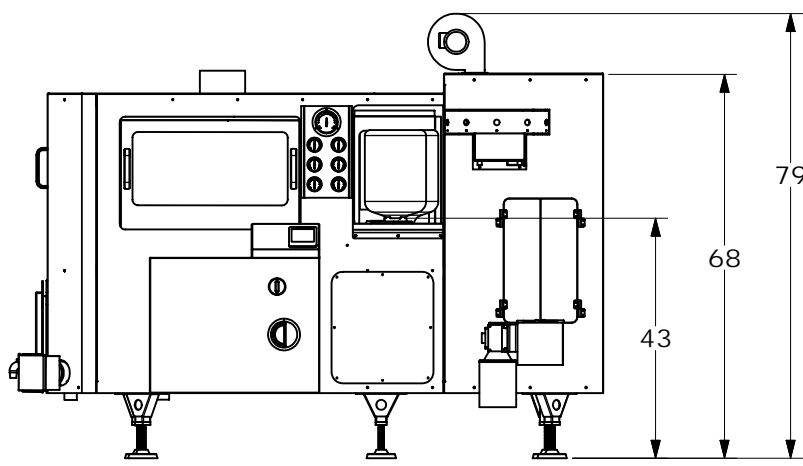
TEMPERED GLASS ACCESS
 LIFT-OUT WINDOW PANELS

LARGE REMOVABLE HATCH
 COVERS FOR EASY CLEANING
 OF TANKS

LOW BOTTLE DISCHARGE CONVEYOR
 FOR EASY UNLOADING

ELECTRIC HEATER

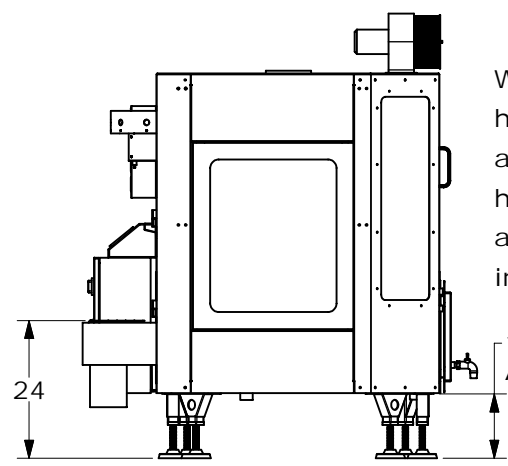
WASH AND SANITIZE
 SAMPLE PORT SPIGOT



79

68

43



24

11
 ADJUSTABLE

WRX300

Webber Automation's WRX300 all stainless steel heavy duty 3, 4 and 5 gallon bottle washer, filler and capper machine will deliver 300 bottles per hour. Comes standard with SMC valves and cylinders and Seimens control, PLC and touch screen operator interface.

PROCESS TIMES;	
LOAD:	12 SECONDS
WASH:	72 SECONDS
SANITIZE:	24 SECONDS
FINAL RINSE:	12 SECONDS